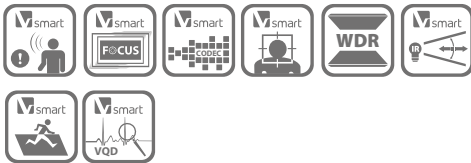


DS-2CD4212FWD-I(Z)(S)(H)

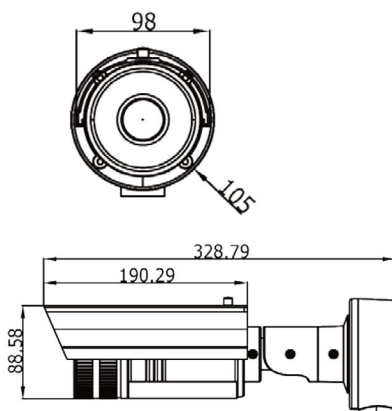
1.3MP WDR IR Bullet Network Camera



Key features

- Up to 1280 x 960 high resolution
- Smart Codec
- 120dB WDR, 3D DNR
- Triple streams
- On-board storage, up to 64GB
- Smart Focus: Motorized VF lens (-Z)
- Smart VQD
- Smart Facial Detection
- Intrusion Detection
- Built-in heater
- Defog
- 8~32mm Motorized VF lens optional
- People Counting

Dimensions



Available models

DS-2CD4212FWD-I, DS-2CD4212FWD-IS
 DS-2CD4212FWD-IZ, DS-2CD4212FWD-IZS
 DS-2CD4212FWD-IZH, DS-2CD4212FWD-IZHS

- * -Z: Motorized VF lens
- * -S: 1-ch audio I/O,
1-ch alarm I/O,
1-ch RS-485 interface
- * -H: Smart Heater

| DS-2CD4212FWD-I(Z)(S)(H) | |
|-----------------------------|---|
| Camera | |
| Image sensor | 1/3" progressive scan CMOS |
| Min. illumination | 0.01 lux@F1.2, AGC on, 0.014 lux@F1.4, AGC on, 0 lux with IR |
| Shutter time | 1s ~ 1/100,000s |
| Slow shutter | Yes |
| Lens | 2.8 ~ 12mm @F1.4, angle of view: 98.4° ~ 30.2° (-Z & non-Z model) (-Z: motorized VF lens) * 8~20mm @F1.6 lens (optional), angle of view: 35.5° ~ 14.7° (Option for non -Z model) * 8~32mm @F1.4 lens, angle of view: 27.8° ~ 9.1° (option for -Z model) |
| Lens mount | Ø14 |
| Auto iris | DC drive |
| Day & night | ICR (Auto/Schedule/Alarm Trigger) |
| Digital noise reduction | 3D DNR |
| Wide dynamic range | 120dB WDR |
| Compression standard | |
| Video compression | H.264 / MPEG4 / MJPEG |
| H.264 codec profile | Baseline profile / main profile / high profile |
| Video bit rate | 32 Kbps ~ 16 Mbps |
| Audio compression | G.711 / G.722.1 / G.726 / MP2L2 *only for -S model |
| Audio bit rate | 64Kbps(G.711) / 16Kbps(G.722.1) / 16Kbps(G.726) / 32-128Kbps(MP2L2) |
| Image | |
| Max. resolution | 1280 x 960 |
| Frame rate | 50 Hz: 25fps (1280 x 960), 50fps (1280 x 720) 60 Hz: 30fps (1280 x 960), 60fps (1280 x 720) |
| 3rd stream | Independent setting, up to: 50Hz: 25fps (1280 x 960), 60Hz: 30fps (1280 x 960) |
| Image settings | Rotate mode, saturation, brightness, contrast, grayscale adjustable through client software or web browser |
| BLC | Yes, zone configurable |
| Defog | Yes |
| EIS | Yes |
| Picture overlay | 128 x 128, BMP 24bit, zone configurable |
| ROI | Support |
| Network | |
| Network storage | NAS (Support NFS, SMB/CIFS) |
| Alarm trigger | Intrusion detection, Defocus detection, Motion detection, Face detection,, line crossing detection Dynamic analysis, Tampering alarm, Network disconnect, IP address conflict, Storage exception |
| Protocols | TCP/IP, ICMP, HTTP, HTTPS, FTP, DHCP, DNS, DDNS, RTP, RTSP, RTCP, PPPoE, NTP, UPnP, SMTP, SNMP, IGMP, 802.1X, QoS, IPv6, Bonjour |
| Security | User authentication, watermark, IP address filtering, anonymous access, reset |
| System compatibility | ONVIF, PSIA, CGI, ISAPI |
| On-board storage | Micro SD/SDXC card slot, max. 64GB |
| Interface | |
| Communication interface | 1 RJ45 10M / 100M ethernet port |
| On-board storage | Built-in Micro SD/SDHC/SDXC slot, up to 64 GB |
| Reset button | Yes |
| General | |
| Operating conditions | -30°C ~ 60°C (-22°F ~ 140°F), humidity 95% or less (non-condensing) -H: -40°C ~ 60°C (-40°F ~ 140°F), with smart heater on |
| Power supply | 12 VDC ± 10%, PoE (802.3af) |
| Power consumption | Max. 11W -Z/-H: Max. 12W |
| IR range | Up to 30m Up to 80m with 8~20mm/8-32mm VF lens |
| Ingress protection | IP66 |
| Dimensions | 98 x 105 x 328.8 mm |
| Weight | 1700 g (3.75 lbs) |